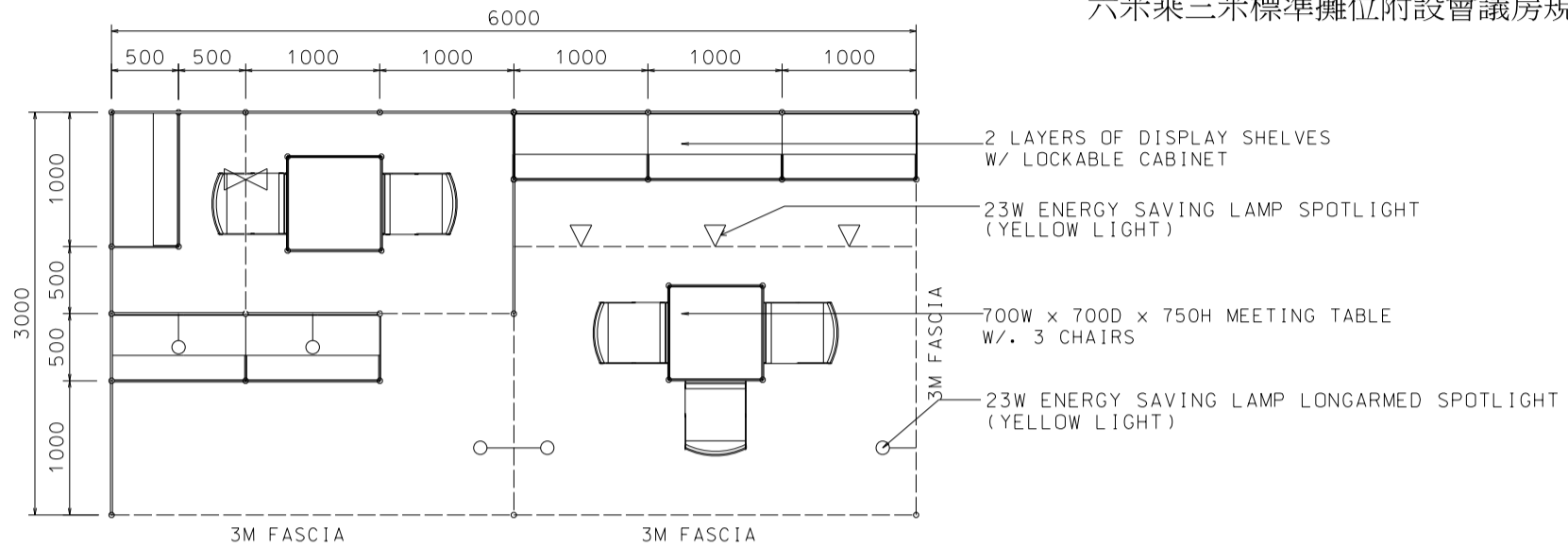
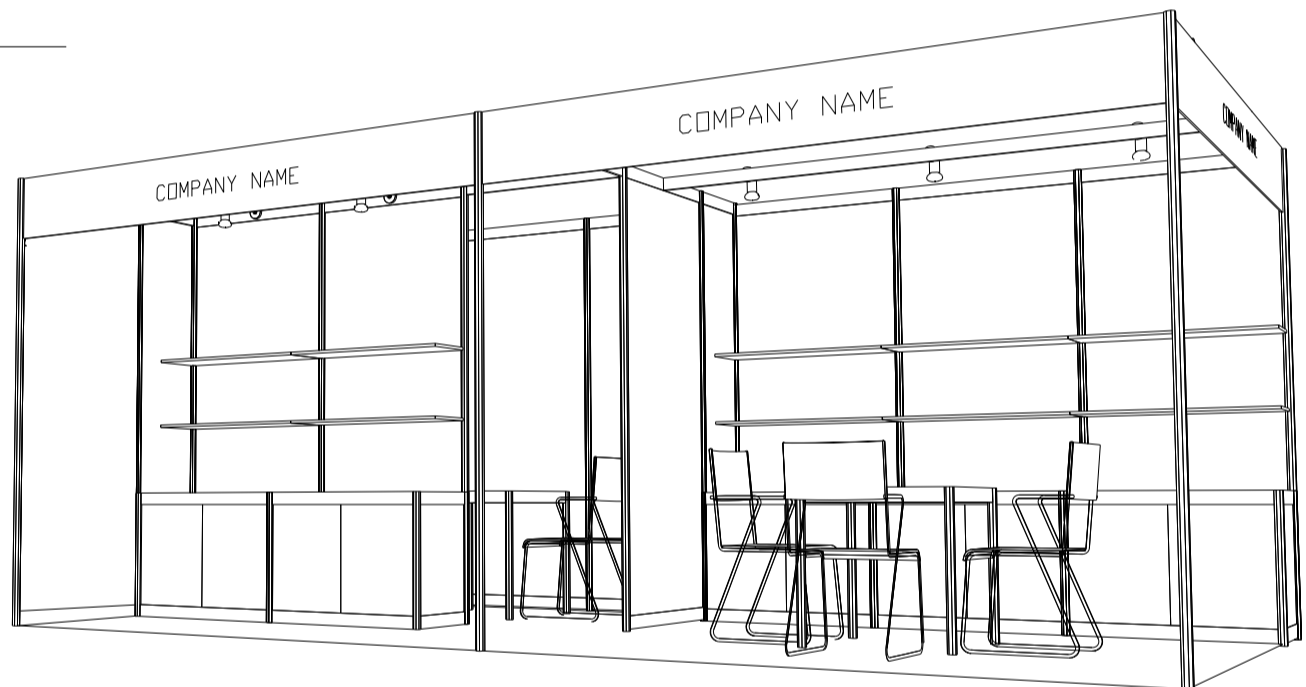


### 6M x 3M Standard Booth with Meeting Room Specification (Right Corner)

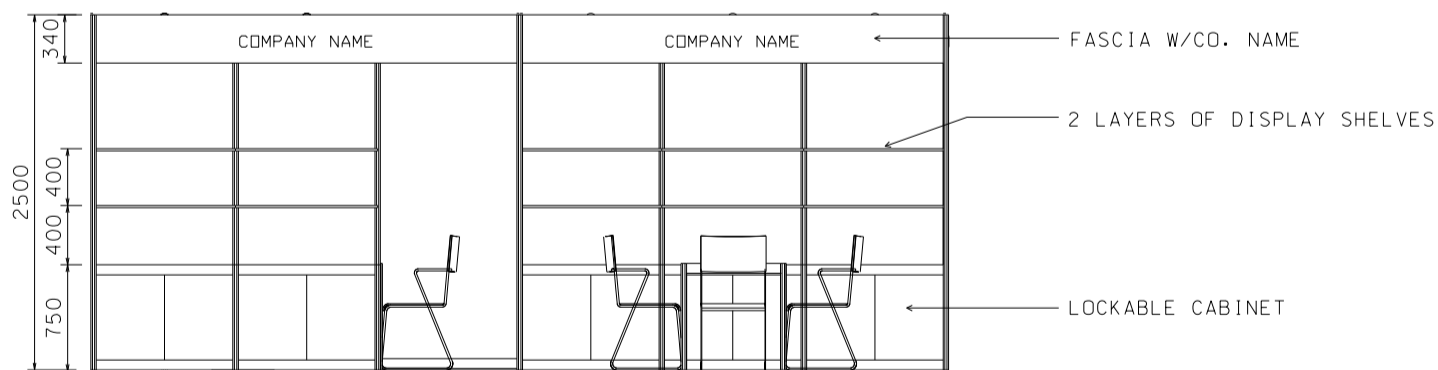
六米乘三米標準攤位附設會議房規格(右邊角位)



PLAN



PERSPECTIVE



ELEVATION

BOOTH SPECIFICATIONS		QTY.
	1000W x 500D x 750H mm LOCKABLE CABINET	6
	3000W x 300D WOODEN DISPLAY SHELF	2
	2000W x 300D WOODEN DISPLAY SHELF	2
	1000W x 300D WOODEN DISPLAY SHELF	2
	23W ENERGY SAVING LAMP SPOTLIGHT(YELLOW LIGHT)	5
	23W ENERGY SAVING LAMP LONGARMED SPOTLIGHT (YELLOW LIGHT)	5
	700W x 700D x 750H MEETING TABLE	2
	BLACK LEATHER CHAIR	5
	CEILING BEAM	7M
	RUBBISH BIN & CARPET (18sqm.)	